

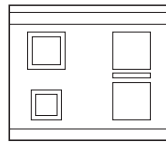


Standard Features & Accessories

All models include

- QuickCook™ surface elements utilize ribbon technology—elements reach full power in about three seconds
- Strong, wear-resistant glass ceramic top
- High infrared transmission for fast cooking, regardless of the type of cookware used
- Left front element—6-1/2" 1,500 watts
- Left rear (dual element)—9" – 6" 2,400 – 1,000 watts
- Right front element—7" 1,800 watts
- Right rear element—7" 1,800 watts
- Bridge element between right front and right rear elements; creates a continuous heated surface—800 watts

Model Options



VERT301-4B*
30"W. Four-Burner
Rangetop

FINISH DETAILS FOR VERT MODELS ONLY

- Stainless Steel (SS)
 - Stainless steel control panel.
 - Black glass ceramic top and knobs.
- Black (BK)
 - Black glass ceramic top, black enamel control panel, and knobs.
- White (WH)
 - White glass ceramic top, white enamel control panel, and knobs.
- Brass Trim Option (BR)—nameplate, drip tray pull/trim, and knob bezels. Brass components have a durable protective coating for maintenance-free normal use.

*Shown throughout with 6"H. backguard. See **Installation Notes & Accessories** for details.

ORDERING INSTRUCTIONS

First specify model number, and then color code (VERT301-4BSS). If ordering optional brass trim, specify code at end (VERT301-4BSSBR).





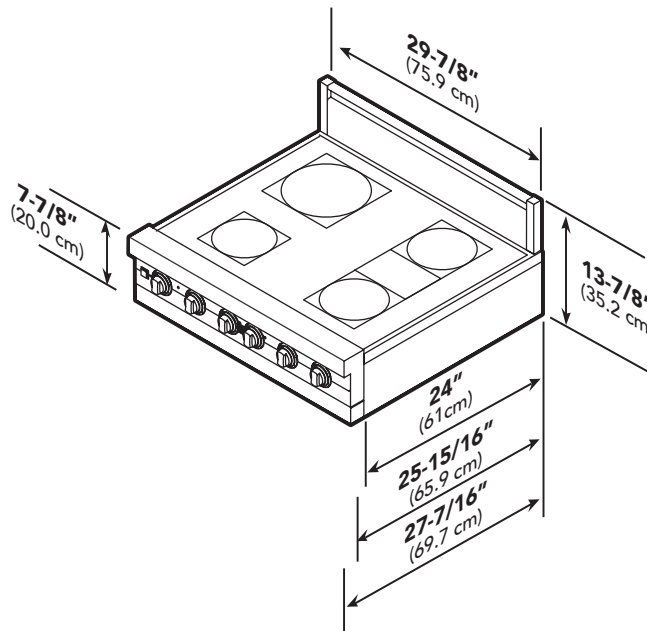
★ Please see Installation Notes & Accessories for important installation information, including backguard, high-shelf, and island trim.

Dimensions & Specifications

PRODUCT DIMENSIONS



VERT301-4B
Professional 30"W.
Four-Burner Rangetop



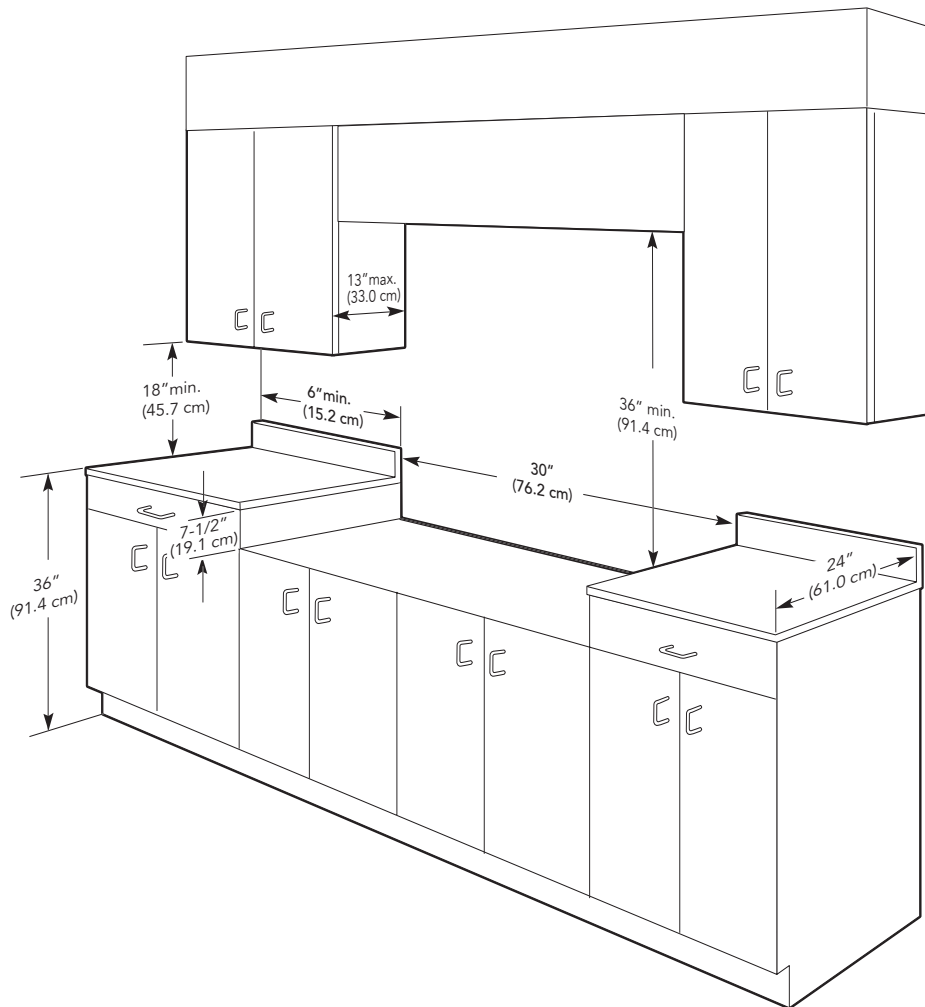
VERT301-4B	
Overall width	29-7/8" (75.9 cm)
Overall height (from bottom)	
To top of glass frame	7-7/8" (20.0 cm)
To top of island trim	8-7/8" (22.5 cm)
To top of 6" backguard	13-7/8" (35.2 cm)
To top of high shelf	31-3/8" (79.7 cm)
Overall depth (from rear)	
To end of side panel	24" (61.0 cm)
To end of control panels	25-15/16" (65.9 cm)
To end of knobs	27-7/16" (69.7 cm)





Dimensions & Specifications

CLEARANCE DIMENSIONS



Minimum clearances from adjacent combustible construction*

- Cooking surface and below, i.e., 36" (91.4 cm) and below
 - o Sides—0"
 - o Rear—0" with backguard or high-shelf; 0" with island trim and non-combustible rear wall; 6" (15.2 cm) with island trim and combustible rear wall.
 - o Top grate support—36" (91.4 cm)
- Above cooking surface, i.e., above 36" (91.4 cm)
 - o Sides—6" (15.2 cm)
 - o Within 6" (15.2 cm) side clearance, wall cabinets no deeper than 13" (33.0 cm) must be minimum 18" (45.7 cm) above cooking surface.
 - o Wall cabinets directly above product must be minimum 36" (91.4 cm) for open top burners above cooking surface.

Do not install two or more units side-by-side.

1. This rangetop may be installed directly adjacent to existing 36" (91.4 cm) high base cabinets. **Important:** The top grate support **must** be 3/8" (0.95 cm) above the adjacent base cabinet countertop.
2. The rangetop **cannot** be installed directly adjacent to sidewalls, tall cabinets, tall appliances, or other side vertical surfaces above 36" (91.4 cm) high. There must be a minimum of 6" (15.2 cm) side clearance from the rangetop to such combustible surfaces above the 36" (91.4 cm) counter height.
3. Within the 6" (15.2 cm) side clearance to combustible vertical surfaces above 36" (91.4 cm), the maximum wall cabinet depth must be 13" (33.0 cm) and wall cabinets within this 6" 15.2

cm) side clearance must be 18" 45.7 cm) above the 36" (91.4 cm) high countertop.

4. Wall cabinets above the rangetop must be a minimum of 36" (91.4 cm) above the rangetop cooking surface for the full width of the rangetop. This minimum height requirement does not apply if a rangehood is installed over the cooking surface.


UTILITY REQUIREMENTS

GAS

- Not applicable


ELECTRICAL

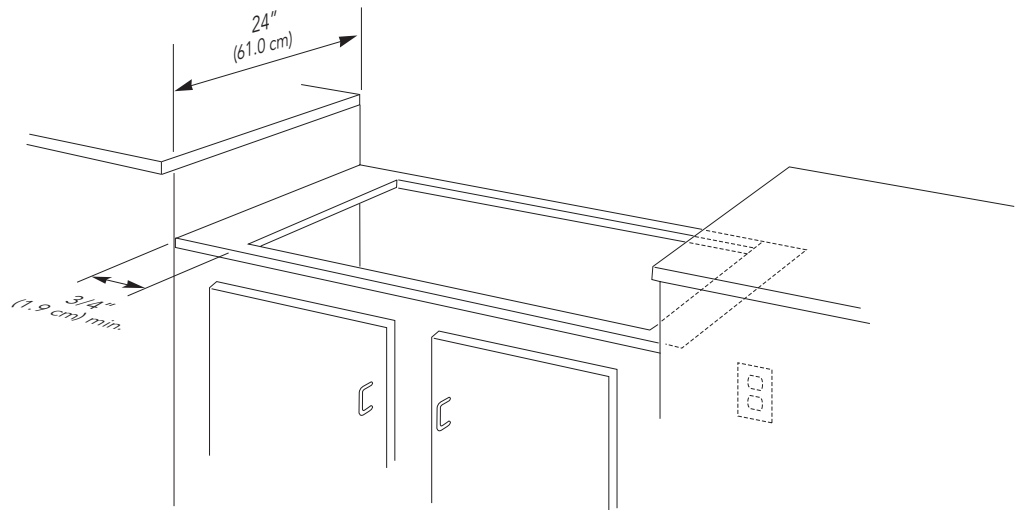
- Electrical connection—40 amp. Three-wire, 240/208V, 60Hz. Unit is equipped with No. 10 ground wire in conduit. Should be fused separately.
- Check your national and local codes regarding this unit.
- Maximum amp usage—
 - o VERT
 - o 240V—34.6
 - o 208V—29.8


PLUMBING

Not applicable

Installation Requirements
ACCESS REQUIREMENTS


VERT301-4B
Professional 30"W.
Four-Burner Rangetop



VERT301-4B		
Cutout width	30" (76.2 cm)	
Cutout height	7-1/2" (19.1 cm)	
Cutout depth	24" (61.0 cm)	
Surface element rating	240V	208V
Left front	1,500 watts	1,125 watts
Left rear (dual element)	2,400/1000 watts	1,800/750 watts
Right front	1,800 watts	1,350 watts
Right rear	1,800 watts	1,350 watts
Bridge	800 watts	600 watts



✦ Installation Notes & Accessories

A backguard, high-shelf, or island trim must be used for all installations.

6"H. Backguard

- Stainless Steel (SS)
- Coordinates with all finishes

Model	Description	Approx. ship wt. lbs. (kg)
T30BG6	30"W./6"H. Professional backguard	14 (6.3)

High-shelf

- Stainless Steel (SS)
- Coordinates with all finishes
- Shelf comes attached to a 24"H. backguard

Model	Description	Approx. ship wt. lbs. (kg)
T30HS24	30"W. Professional high-shelf	45 (20.3)

Island Trim

- Stainless Steel (SS)
- Coordinates with all finishes
- For island/peninsula installation
- Can replace backguard if wall is non-combustible

Model	Description	Approx. ship wt. lbs. (kg)
T30TII	30"W. Professional island trim	10 (4.5)

Countertop Side Trim

- Stainless Steel (SS)
- Coordinates with all finishes
- Installs on side of unit; overlaps countertop
- One pair of trim

Model	Description	Approx. ship wt. lbs. (kg)
TE24CST	Side trim	2 (0.9)

Compliance Information



WARRANTY INFORMATION*

- One-year full warranty—complete product
- Ten-year limited warranty—all electric elements/oven elements
- Ninety-day limited warranty—cosmetic parts such as glass, painted, and decorative items

* For complete warranty see *Use & Care Guide*. Warranty valid on Viking products shipped within the United States and Canada.

